



# PRODUCTS CATALOG

ELECTRICAL ENCLOSURES & MODULAR CABINETS



# 20

[exmweb.com](http://exmweb.com)

# NEMA 4X ENCLOSURES

## 5412 ESSW

### WATER, OIL & DUST TIGHT STAINLESS STEEL WINDOWED ENCLOSURES

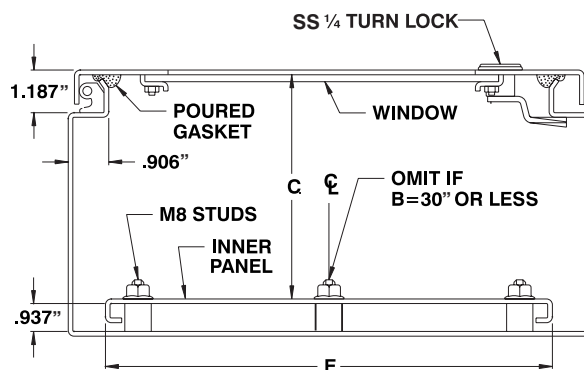
The 5412 ESSW water, oil & dust tight enclosures are used indoors or outdoors, in areas where the enclosures may be subject to hosing or water coming from any direction, or for protection against dust, dirt or oil splashing. The 5412 ESSW are made of high quality 14 GA or 16 GA (Type 304) stainless steel, with continuously welded corner seams. The window is made with self-extinguishing polycarbonate. The opening has a curled lip around all sides

to increase rigidity and prevent dripping water from entering the enclosure when the door is open. A high quality, robotically poured-in-place, seamless gasket ensures a complete and durable water tight seal. The pins of the concealed hinges can be pulled out to remove the door. A ¼ turn locking mechanism ensures positive closing. Internal mounting holes are provided. **Each enclosure comes complete with a 12 GA galvanized inner panel,**

which is double bent\* for maximum rigidity and mounts on M8 welded studs. The enclosures are brushed smooth. Inner panel is galvanized (other colors available).

**CSA Certified / UL Listed  
NEMA/EEMAC 4X / IP66**

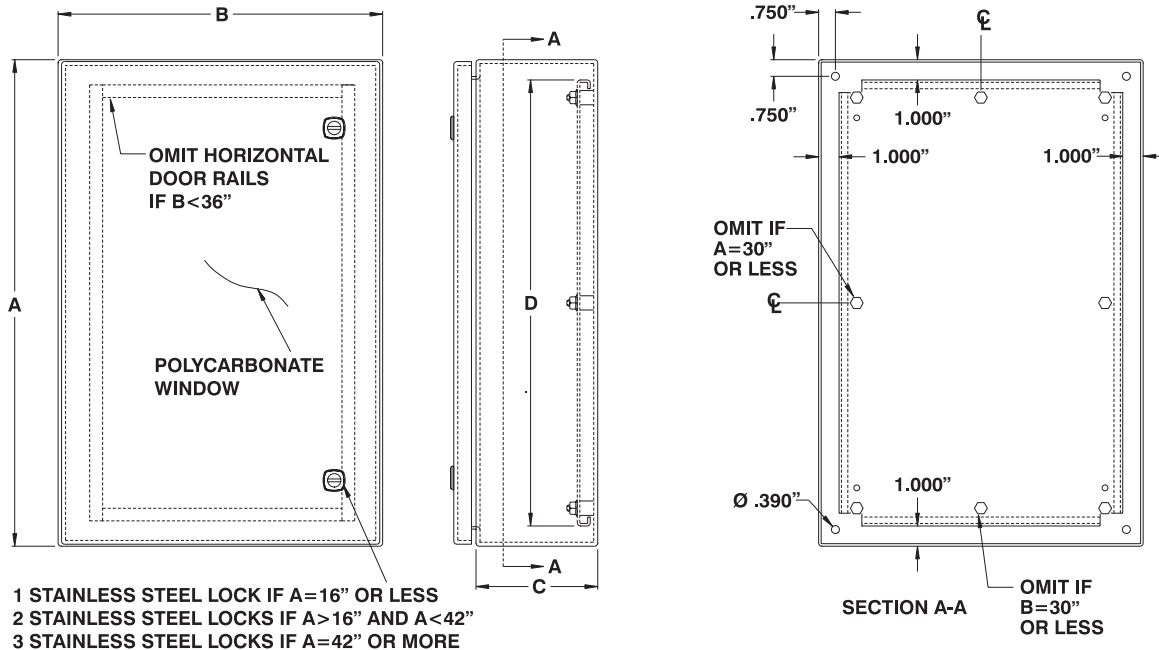
**Refer to p.734 to validate choice of substrate for the application**



CATALOG NUMBER	DIMENSIONS					SHIP WGHT LBS.
	A	B	C	D	E	
5412 ESSW121206	12	12	6	10	10	19
5412 ESSW122406	12	24	6	10	22	35
5412 ESSW161206	16	12	6	14	10	24
5412 ESSW161606	16	16	6	14	14	31
5412 ESSW162006	16	20	6	14	18	37
5412 ESSW201206	20	12	6	18	10	29
5412 ESSW201606	20	16	6	18	14	37
5412 ESSW202006	20	20	6	18	18	45
5412 ESSW202406	20	24	6	18	22	53
5412 ESSW241206	24	12	6	22	10	35
5412 ESSW241606	24	16	6	22	14	44
5412 ESSW242006	24	20	6	22	18	53
5412 ESSW242406	24	24	6	22	22	62
5412 ESSW301606	30	16	6	28	14	53
5412 ESSW302006	30	20	6	28	18	65
5412 ESSW302406	30	24	6	28	22	76
5412 ESSW362406	36	24	6	34	22	90
5412 ESSW363006	36	30	6	34	28	109
5412 ESSW122408	12	24	8	10	22	38
5412 ESSW161208	16	12	8	14	10	27
5412 ESSW161608	16	16	8	14	14	34
5412 ESSW162008	16	20	8	14	18	41
5412 ESSW201208	20	12	8	18	10	33
5412 ESSW201608	20	16	8	18	14	41
5412 ESSW202008	20	20	8	18	18	49
5412 ESSW202408	20	24	8	18	22	57
5412 ESSW241208	24	12	8	22	10	38
5412 ESSW241608	24	16	8	22	14	48
5412 ESSW242008	24	20	8	22	18	57
5412 ESSW242408	24	24	8	22	22	67
5412 ESSW243008	24	30	8	22	28	81
5412 ESSW301208	30	12	8	28	10	46
5412 ESSW301608	30	16	8	28	14	58
5412 ESSW302008	30	20	8	28	18	70
5412 ESSW302408	30	24	8	28	22	81
5412 ESSW303008	30	30	8	28	28	98
5412 ESSW303608	30	36	8	28	34	116
5412 ESSW362408	36	24	8	34	22	95
5412 ESSW363008	36	30	8	34	28	116
5412 ESSW363608	36	36	8	34	34	136
5412 ESSW422408	42	24	8	40	22	110
5412 ESSW423008	42	30	8	40	28	133



## WATER, OIL & DUST TIGHT STAINLESS STEEL WINDOWED ENCLOSURES



CATALOG NUMBER	DIMENSIONS					SHIP WGHT LBS.
	A	B	C	D	E	
5412 ESSW423608	42	36	8	40	34	156
5412 ESSW482408	48	24	8	46	22	124
5412 ESSW483008	48	30	8	46	28	150
5412 ESSW483608	48	36	8	46	34	177
5412 ESSW603608	60	36	8	58	34	218
5412 ESSW161210	16	12	10	14	10	30
5412 ESSW201610	20	16	10	18	14	44
5412 ESSW202010	20	20	10	18	18	53
5412 ESSW241210	24	12	10	22	10	42
5412 ESSW242010	24	20	10	22	18	62
5412 ESSW242410	24	24	10	22	22	71
5412 ESSW302010	30	20	10	28	18	74
5412 ESSW302410	30	24	10	28	22	86
5412 ESSW362410	36	24	10	34	22	101
5412 ESSW363010	36	30	10	34	28	122
5412 ESSW423010	42	30	10	40	28	140
5412 ESSW423610	42	36	10	40	34	164
5412 ESSW483010	48	30	10	46	28	158
5412 ESSW483610	48	36	10	46	34	185
5412 ESSW603610	60	36	10	58	34	227
5412 ESSW201612	20	16	12	18	14	48
5412 ESSW202012	20	20	12	18	18	57
5412 ESSW202412	20	24	12	18	22	66
5412 ESSW242012	24	20	12	22	18	66
5412 ESSW242412	24	24	12	22	22	76
5412 ESSW302412	30	24	12	28	22	92
5412 ESSW303012	30	30	12	28	28	110
5412 ESSW362412	36	24	12	34	22	107

CATALOG NUMBER	DIMENSIONS					SHIP WGHT LBS.
	A	B	C	D	E	
5412 ESSW363012	36	30	12	34	28	129
5412 ESSW363612	36	36	12	34	34	150
5412 ESSW422412	42	24	12	40	22	118
5412 ESSW423012	42	30	12	40	28	147
5412 ESSW423612	42	36	12	40	34	172
5412 ESSW482412	48	24	12	46	22	138
5412 ESSW483612	48	36	12	46	34	193
5412 ESSW602412	60	24	12	58	22	169
5412 ESSW603612	60	36	12	58	34	236
5412 ESSW723012	72	30	12	70	28	240
5412 ESSW723612	72	36	12	70	34	279
5412 ESSW242016	24	20	16	22	18	74
5412 ESSW242416	24	24	16	22	22	86
5412 ESSW302416	30	24	16	28	22	102
5412 ESSW362416	36	24	16	34	22	119
5412 ESSW363016	36	30	16	34	28	142
5412 ESSW423616	42	36	16	40	34	187
5412 ESSW483616	48	36	16	46	34	210
5412 ESSW603616	60	36	16	58	14	255
5412 ESSW723016	72	30	16	70	28	260
5412 ESSW723616	72	36	16	70	34	301
5412 ESSW302420	30	24	20	28	22	113
5412 ESSW363020	36	30	20	34	28	155
5412 ESSW483620	48	36	20	46	34	226
5412 ESSW603620	60	36	20	58	34	274
5412 ESSW723020	72	30	20	70	28	280
5412 ESSW302424	30	24	24	28	22	123
5412 ESSW723024	72	30	24	70	28	300

\* Only panels with sides 20" or more are double bent.

† For stainless steel type 316, add suffix '6' to the catalog number (ie. 5412 ESSW1612086).

**Insulated box?** To have your enclosure insulated, add suffix "TH"

i.e.: 5412 ESSW362412TH → Insulated stainless steel enclosure

